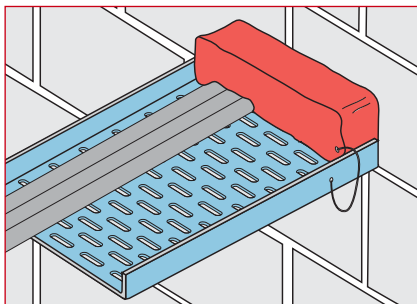


ENVIROGRAF® PRODUCT GROUP 29

INTUMESCENT CABLE TRAY PILLOW

All Electrical Products to comply with the revised 17th Edition of the IEE Regulations and Document B of UK Building Regulations



DESCRIPTION

This is a true intumescent compressible pillow, filled with fireproof sponge and intumescent material. The pillow covering is coated glass-cloth which alone gives up to 4 hours of fire protection. In a fire, the pillow's stitching breaks and the intumescent pillow contents expand around and between the cables to fill up the opening.

USE

For use where cable trays pass through fire-rated ceilings, floors, and walls. Supplied with a fitted cord and retention tag which can be rivetted or screwed onto the cable tray.

PERFORMANCE

Tested to BS476 Part 22 (1987), achieving an integrity of 181 minutes. Also tested at Cidemco to European Standard EN13501-2 (2004).

ORDERING REFERENCES:

TE See price list. Can be made to fit any size trunking and opening.

PATENTED