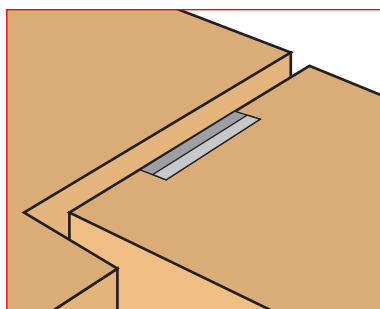


ENVIROGRAF® PRODUCT 68

INTUMESCENT FIRE SEALS



DESCRIPTION

Rebated intumescent seals with self-adhesive backing, supplied in 1050mm and 2020mm lengths. Available in black, brown, red, white, and real wood veneer facings. These seals offer one hour of fire protection.

USE

For use in frames, edges or fire doors and behind door frames. Once fitted, the facing of the seal can be painted. **Note: All fire doors must now be fitted with intumescent seals.**

PERFORMANCE

This product was used in hardwood doors fire resistance tests employing the general procedures and criteria of BS476 Part 22 (1987), achieving an integrity of up to 60 minutes. In softwood door fire resistance tests, up to 33 minutes of integrity was achieved.

ORDERING REFERENCES :

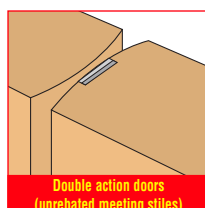
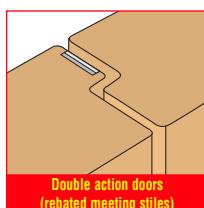
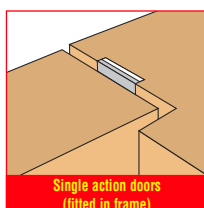
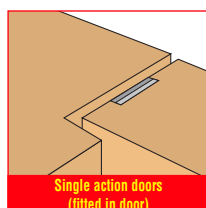
PATENTED

Ref	Size (mm)	Protection	Ref	Size (mm)	Protection
ES102	10 x 2	Half Hour	ES302	30 x 2	One Hour
ES103	10 x 3	Half Hour	ES303	30 x 3	One Hour
ES104	10 x 4	Half Hour	ES304	30 x 4	One Hour
ES154	15 x 4	One Hour	ES383	38 x 3	One Hour
			ES384	38 x 4	One Hour
ES202	20 x 2	One Hour	ES403	40 x 3	One Hour
ES203	20 x 3	One Hour	ES483	48 x 3	One Hour
ES204	20 x 4	One Hour	ES484	48 x 4	One Hour
ES252	25 x 2	One Hour	ES503	50 x 3	One Hour
ES253	25 x 3	One Hour			
ES254	25 x 4	One Hour			
ES283	28 x 3	One Hour			

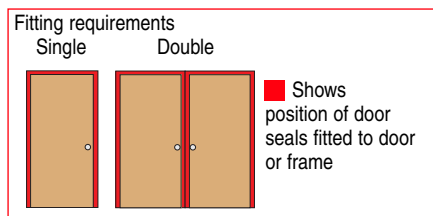
See price list for full range of sizes

Available in 1050mm or 2020mm lengths

Finishes: black, brown, red, white, or real wood veneer



Also used for sliding doors and windows



See also Envirograf® Products 69, 76, and 100