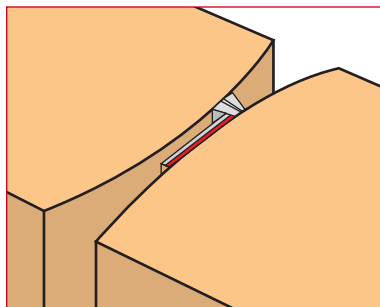


ENVIROGRAF® PRODUCT GROUP 69

SURFACE-MOUNTED INTUMESCENT FIRE & FIRE/SMOKE SEALS



DESCRIPTION

A surface-mounted intumescent fire seal or fire/smoke seal available in black, brown, red, white, and real wood veneer finishes. No routing is necessary. Supplied with intumescent paper for use around lock and hinge areas and two labels printed "Fire Door – Keep Shut".

USE

This product can be fitted to door frames in minutes. A 3½mm or greater gap down the closing stile and across the door head is all that is required. Seals fit directly over hinges with no hinge bind and no special gap is necessary on hinge side. Once fitted, the face of the seal can be painted, although the brush smoke seal must NOT be painted. If the brush is painted in error, it is easy to replace. Pins are supplied for pushing into the brush seal, although the brush has a self-adhesive strip at the back.

PERFORMANCE

In a test on an old door with a head gap between 7mm and 11mm, the seal just expanded and remained in place for the whole test. Tested to BS476 Part 22 (1987), achieving an integrity of up to 66 minutes with an 11mm gap at the head of the door. The intumescent strips included have also been successfully tested to BS476 Part 23 (1987).

ORDERING REFERENCES:



ES/SDS for single door sets **NS/SDS** for single door sets
ES/DDS for double door sets **NS/DDS** for double door sets
(**ES sets are fire/smoke seals**, but **NS sets are fire seals only**).

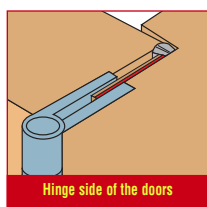
State whether rebated or open stiles on double doors and the finish required.

Packs are supplied with intumescent paper for use in lock areas and labels printed "Fire Door – Keep Shut" (See price list for full range).

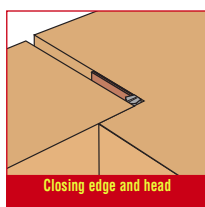
If the gap at the closing stile and across the head of the door is less than 3mm, request packs containing only 1mm thick ES/30/PS seals.

Single 1050mm **fire/smoke seal** strips can be supplied as follows:
ES/25/HS for head and closing stile – 2½mm thick x 30mm wide x 5mm brush
ES/30/PS for hinge side – 1mm thick x 30mm wide x 3mm brush

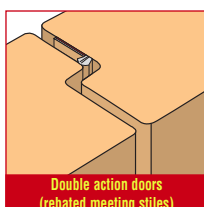
Single 1050mm **fire seal strips (no smoke seal)** can be supplied as follows:
NS/25/HS for head and closing stile – 2½mm thick x 30mm wide x 5mm brush
NS/30/PS for hinge side – 1mm thick x 30mm wide x 3mm brush.
Longer brush sizes can be supplied to order – please state size when ordering.



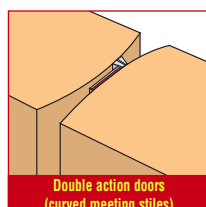
Hinge side of the doors



Closing edge and head



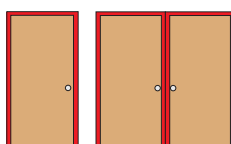
Double action doors
(rebated meeting stiles)



Double action doors
(curved meeting stiles)

Fitting Requirements for Product 69

Single Double



■ Shows position of door seals fitted to door or frame

ALTERNATIVE SEAL

V-shaped rubber surface fire/smoke seal available: please ask for more details



ORDERING REFERENCES:
ES/SDS/P for single door sets
ES/DDS/P for double door sets