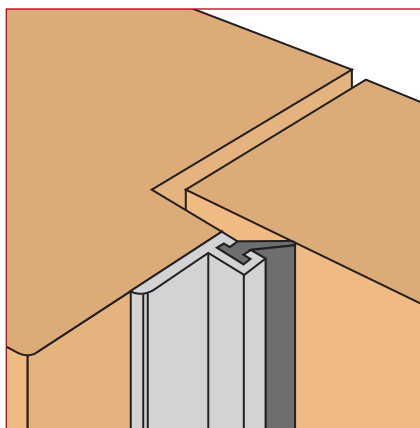


ENVIROGRAF® PRODUCT GROUP 75

SURFACE-MOUNTED ACOUSTIC, DRAUGHT, SMOKE, WEATHER SEALS



DESCRIPTION

A 2100mm long aluminium or plastic holder (black, brown, or white plastic) containing a brush seal in various sizes and colours or a black rubber seal in various sizes and patterns.

USE

Fitted onto door frames, the centre stiles of doors, and around casement/sash windows and glass doors, to give acoustic, draught, smoke, and weather protection.

ORDERING REFERENCES :



ES/SH Aluminium surface-mounted holder (self-colour)

ES/SP Plastic surface-mounted holder (black, brown, or white)

- /A Add suffix /A and size for angled rubber seal
- /B Add suffix /B and size and colour for brush seal
- /S Add suffix /S and size for straight rubber seal
- /T Add suffix /T and size for tubular rubber seal
- /V Add suffix /V and size for V-shaped rubber seal

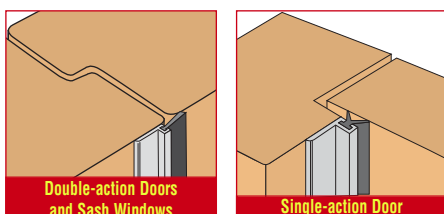
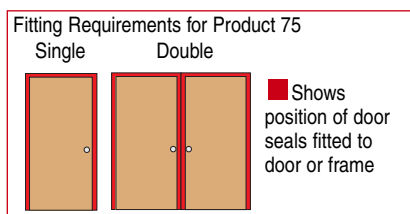
If plastic, state holder colour. If using brush seal, state its colour

Ordering example:

Envirograf® Seals Surface Plastic holder (black) + Brush seal 5mm (grey) ES/SP(black)/B5(grey)

Holder	Seal A	Seal B	Seal S	Seal T	Seal V
Seal Size	6/9mm	5/7/10mm	5/7/9mm	6/9mm	6mm
Use For:	Single-action/ Double-action Doors and Casement/ Sash Windows (below left: adjust angle to suit)	Doors and Windows	Single/Double Doors	Acoustic Cushioning	Single-action Doors

Important: 1-1½mm of the brush or rubber seal is held within the holder. Brush with fin is always ½mm higher than regular brush. Make allowance for this when specifying.



Also used for sliding doors and windows