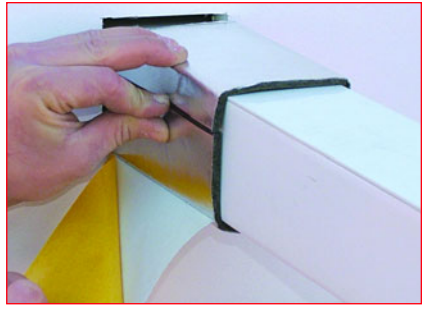


# ENVIROGRAF® PRODUCT 110

## FIROBLOK® INTUMESCENT SLEEVES FOR SERVICES



### DESCRIPTION

Envirograf® Product 110 Firoblok® sleeves are designed to protect cables and metal/plastic pipes and ventilation trunking passing through fire-rated ceilings, floors, or walls made from block, brick, or concrete, and hollow plasterboard floors and walls. They are flexible, allowing contraction and expansion of water pipes, and give protection from corrosion caused by close contact with cement, cement blocks, plaster, and other corrosive building materials. A silver-coloured reinforced covering contains the intumescent material so that it expands inwards and crushes into melting PVC pipes, trunking, ducts, etc in the heat of a fire. They also absorb heat from fire and help prevent metal pipes, services, and armoured cables from overheating. For use with cables, there is an insert made from fire protection card to protect against perforation of the intumescent material during insertion or maintenance of cables (add the suffix /C for this version). The sleeves are supplied in 100mm, 150mm, 200mm, or 500mm lengths. They can be easily cut with a sharp knife and they should be installed level with the surrounding ceiling, floor, or wall. In the case of a fire, the intumescent material will expand, sealing the gap between the cable or pipe and its surrounding ceiling or wall. See also Product 7 (intumescent wraps) and Product 25 (cable protection system for cavity walls).

### USE

For services passing through fire-rated ceilings and walls (especially where contraction and expansion allowance is required, e.g. water/gas pipes). Also for use in brick, block, concrete, and hollow floors or walls.

### PERFORMANCE

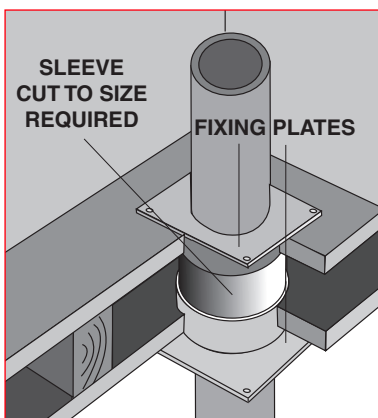
This product underwent a fire resistance test employing the general procedures and criteria of BS476 Part 22 (1987), achieving an integrity of 130 minutes in solid walls, 67 minutes in hollow walls, and 4 hours in concrete/ block ceilings/walls. Also tested to EN1366-3 (2005), EN1363-1 (2000), and EN13501-2 (2004).

### ORDERING REFERENCES :



Reference	Internal Diameter	External Diameter
IWS 25	25mm	35mm
IWS 33	33mm	45mm
IWS 40	40mm	55mm
IWS 50	50mm	65mm
IWS 60	60mm	80mm
IWS 90	90mm	115mm
IWS100	100mm	115mm
IWS150	150mm	165mm
IWS215	215mm	265mm

Add suffix /C for electrical cable protection. See price list for full range.



### NEW FIROBLOK SLEEVES FOR DUCTING, TRUNKING, AND CEILING FANS

