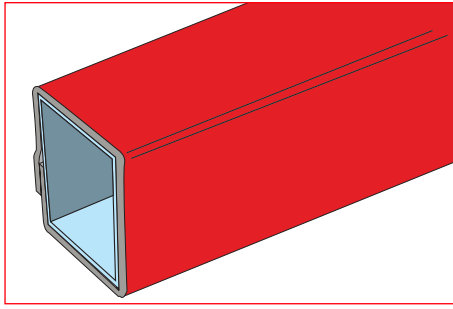


ENVIROGRAF® PRODUCT 111

COATED CERAMIC QUILT FOR STEEL



DESCRIPTION

A durable intumescent quilt, designed for fire protection around ventilation ducting. Supplied in 6mm thickness and 1220mm wide rolls, up to 20m long.

USE

Wrap around ventilation ducting or trunking, using Envirograf® Product 46 (intumescent adhesive) for adhesion, and secure with galvanised wire over the overlapped ends to finish.

PERFORMANCE

Tested on steel in accordance with the general principles and criteria of BS476 Part 20 (1987), achieving 87 minutes of integrity.

ORDERING REFERENCES :

CQT State thickness and length required

